



## NKG1 Time Switch

### 1. General

NKG1 Time Switch is control element with time as control unit and can automatically turn on or turn off power supply of various consumer equipments according to preset time by user. The controlled objects are circuit equipments and household appliances such as street lamps, neon lamps, advertising lamps, manufacturing equipments, broadcast & television equipments, etc., which requires turning on and off at definite time.

## 2. Technical data

Operating mode	Time automatic control
Rated operating current	AC-15 3A
Rated operating voltage	AC220V 50Hz/60Hz
Electrical life	$1 \times 10^5$
Mechanical life	$1 \times 10^6$
Times of ON/OFF	16 opens & 16 closes
Battery	AA size battery (replaceable)
Timing error	$\leq 2s/day$
Ambient temperature	$-25^{\circ}C \sim +40^{\circ}C$
Installation mode	Guide rail type, wall-mounted type, unit style
External dimension	117.57×72.43×45.32

## 3. Wiring diagram

3.1 Wiring for direct control mode: direct control mode can be used for electrical apparatus which is single-phase power supply and its power consumption doesn't exceed rated value of this switch. See Figure 1 for wiring method;

3.2 Wiring for single-phase dilatancy mode: it is required a AC contactor with larger capacity than electrical apparatus power consumption for dilatancy when the controlled electrical apparatus is single-phase power supply, whereas its power consumption exceeds rated value of this switch. See Figure 2 for wiring method;

3.1.3 Wiring for three-phase operation mode: if the controlled electrical apparatus is three-phase power supply, it is required to externally connect three-phase AC contactor.

a. See Figure 3 for wiring, control contactor @ AC220V coil voltage, 50Hz;

b. See Figure 4 for wiring, control contactor @ AC380V coil voltage, 50Hz

Figure 1

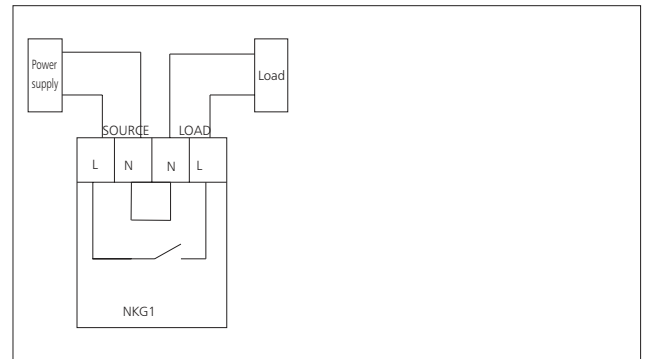


Figure 2

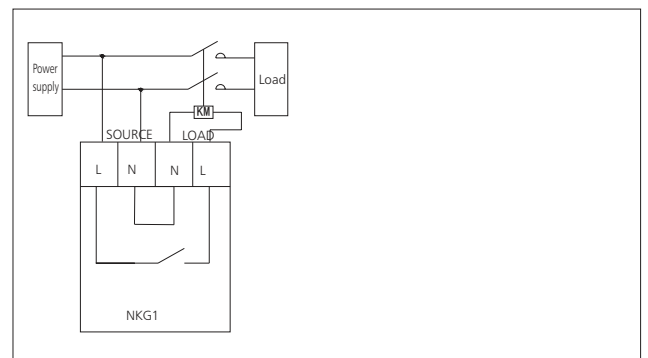


Figure 3

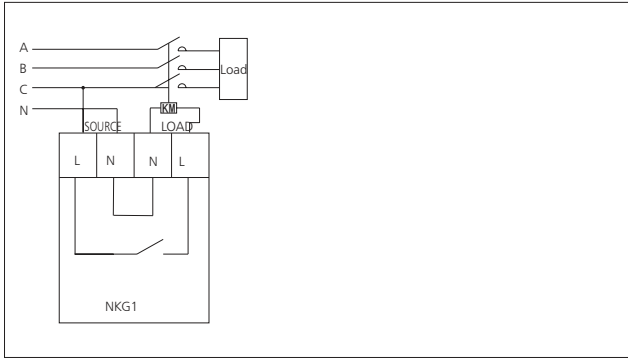
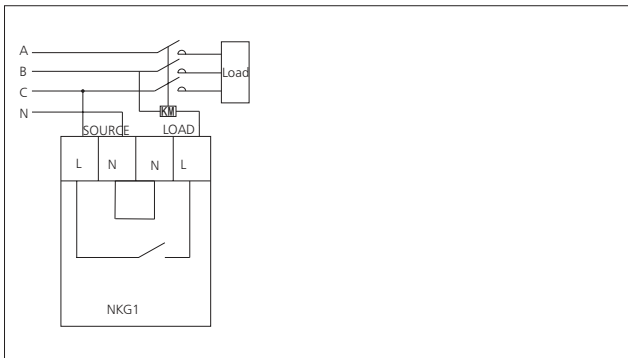


Figure 4



4. Overall and mounting dimensions (mm)

Profile installation dimensions

